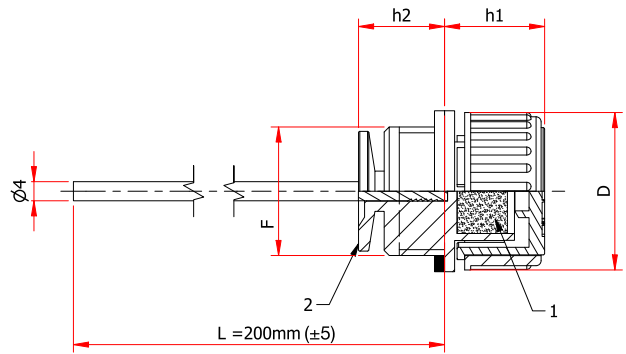


# TCSZF(A) - KNURLED OIL FILL PLUG WITH BREATHER AND ANTI-SPLASH DISC



1 = Breather hole  
 2 = Antisplash disc

plastic filler breathers

Plastic knurled head threaded filler breather ensuring high mechanical resistance at both low and high temperatures, dimensional stability and shocks resistance. Incorporated anti-splash disc, positioned under the thread, will reduce spillage when heavy oil movement in the reservoir or gearbox take place.

- **Material:** Polyamide PA66.
- **Sealing:** flat gasket NBR 90 Shore.
- **Maximum working temperature:** 100°C/212°F.
- **Filter:** polyurethane foam filter element prevents

contaminations from the ambient atmosphere polluting the oil.

- **Airflow rate "P":** indicated in the table expressed in Lt/ min measured at a pressure of 50 mbar/0,73 PSI.

### Special versions

**Level dipstick:** cylindrical section with zinc steel phosphated surface, standard length 200 mm (± 5), with customizable length with MIN-MAX notches.

Cod.	F	D	h1	h2	P	Pack.
TCSZF/14	G 1/4"	21,5	16	11	NR	100
TCSZF/38	TCSZF/38+A	G 3/8"	21,5	16	35	100
TCSZF/12	TCSZF/12+A	G 1/2"	24	11,50	100	100
TCSZF/34	TCSZF/34+A	G 3/4"	31	19	80	50
TCSZF/1	TCSZF/1+A	G 1"	38	16	250	50
TCSZF/14.15	M14x1,5	21,5	16	11	NR	100